

GS-600 (BK / KH / SL)

HOME & CAMP BURNER

Instruction Manual ver. 1.10

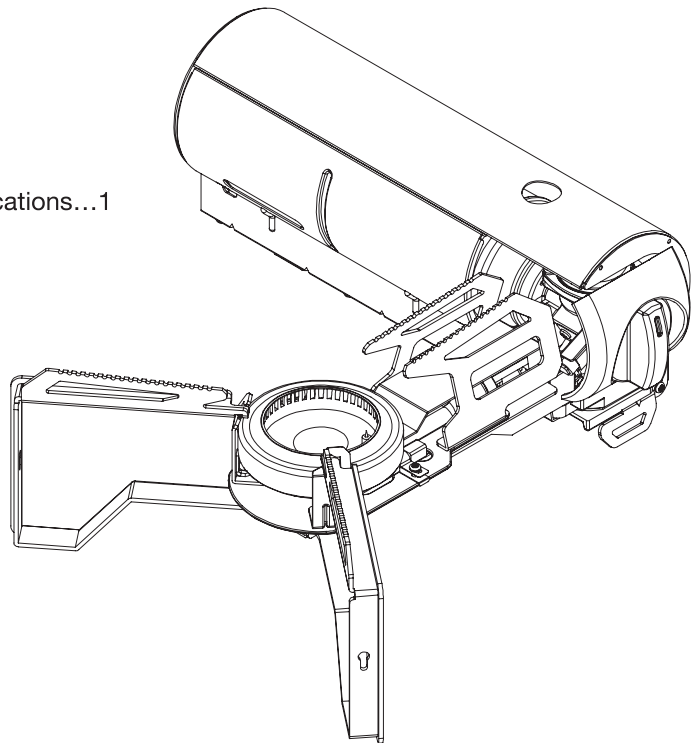


Thank you very much for purchasing a Snow Peak product. Please be sure to read these instructions carefully to ensure correct and safe use. After reading, keep this manual in a safe place for future reference. Although this product should be complete and safe, please check for all accessory items. We also recommend practicing assembly in a safe location prior to using in the field. If anything in the instruction manual is difficult to understand, or if there is a product defect, stop use immediately and please contact the dealer where the product was purchased, or Snow Peak Customer Service.

Table of Contents

- Included Contents/Part Names, Safety Mechanisms, Specifications...1
- Special Attention...2-5
- Directions for Use...6-9
- Daily Inspection/Maintenance, Trouble Shooting...10-11
- Warranty...11

⚠ WARNING: This product can expose you to chemicals including lead, which is known to the State of California to cause Cancer and birth defects or other Reproductive Harm. For more information go to www.P65Warnings.ca.gov.



All combustion appliances created by Snow Peak are required to pass burning tests before shipment. Therefore, please understand that there may be a slight tarnish on the trivet or the burner head.

Never use in confined spaces such as inside of tents or vehicles. Improper use may cause death or serious poisoning from oxygen deficiency or toxic gases. Please use this product in a well-ventilated space, even when outdoors. Be careful touching the product during and after use, as it will be very hot. Keep this product out of the reach of children to avoid danger.

For Your Safety

Read carefully and avoid the accidents that are posted by using the units safely. A note on the warnings and precautions in this manual.



DANGER : Could easily result in a serious accidents or death.



WARNING: Warning. Misuse could result in serious injury or death to the user.



CAUTION: Caution. Misuse could result in injury or damage to property.

Picture displays below meaning



General Danger/Warning/ Caution



Prohibited in general



Must do



No Fire



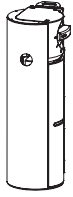
No contact



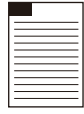
Do not disassemble

Contents Include/Name of Parts

Contents Include:

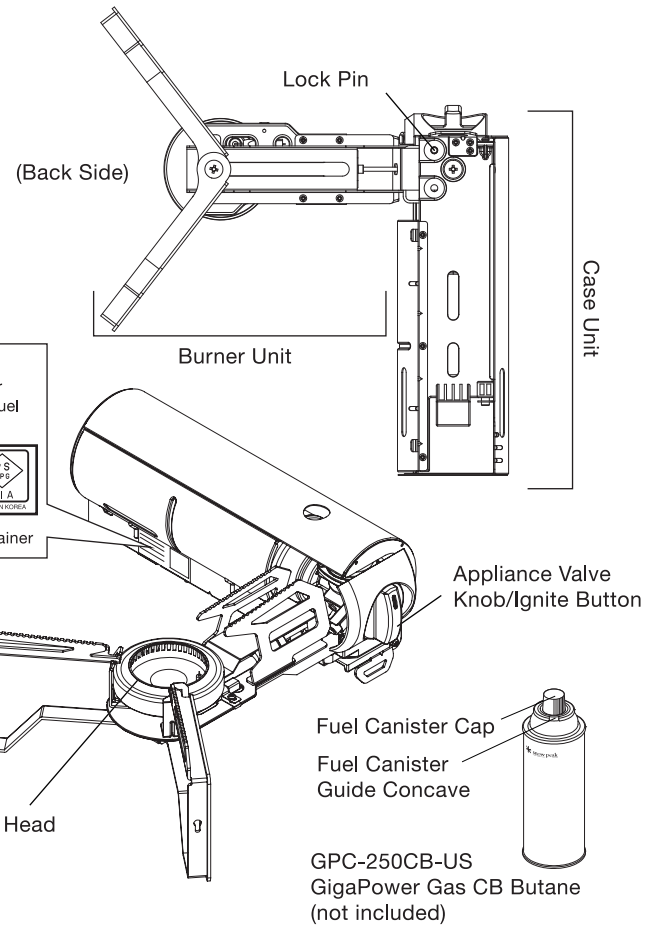
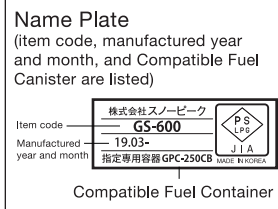
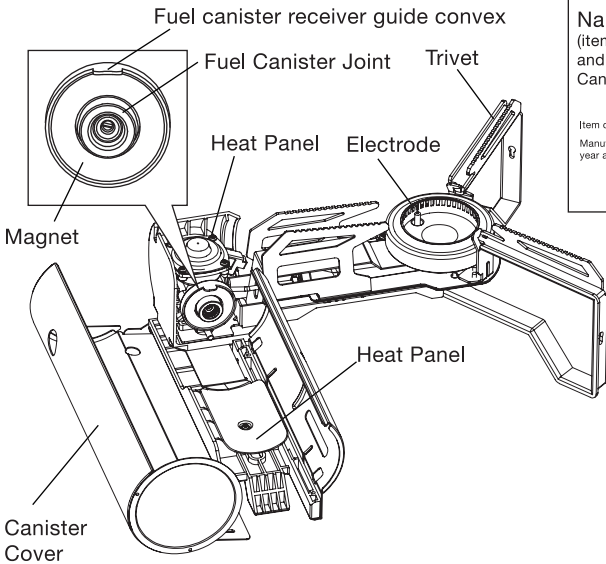


- Main Unit



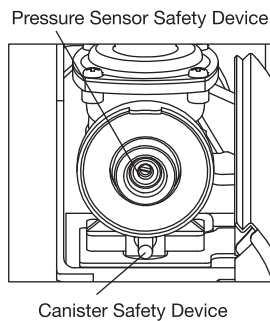
- Instruction Manual

Name of Parts



Safety Mechanism

Pressure Sensor Safety Device
When the canister is heated and pressure in the container rises abnormally, the canister will automatically separate, shutting off the gas supply to extinguish the fire.



Canister Safety Device
If the Appliance Valve Knob is not set to "0", the canister cannot be installed.

When Pressure Sensor Safety Device is Activated

When the device is activated, the canister (cylinder) is very hot. Use caution to avoid burns and take the following measures:

- ① Return the Appliance Valve Knob to "0" position.
- ② Remove the canister (cylinder) from the main unit.
- ③ Closely read "Special attention" on page 2-5 and "How to attach canister" on page 7 and remove the cause.
- ④ Thoroughly read "How to attach canister" on page 7 and connect a new canister. If there's no new canister, reconnect the removed canister after it has completely cooled. If it's not cool, the canister may come off again.
- ⑤ Make sure it is ignited and burning properly.

Specifications

Product Name	Portable Stove (Built-in Type)
Model	GS-600 (GS-600 BK/KH/SL)
External Dimensions	301 x 346 x 120 mm / 11.8 x 13.6 x 4.7 in (during use) / 90 x 120 x 255 mm / 3.5 x 4.7 x 10 in (stowed)
Weight	1.4 kg / 3 lbs
Gas Used	Butane Gas
Gas Consumption	2.4kw (2100kcal/h 178g/h) <Temperature 20 – 25°C(68-77°F)>
Continuous Burning Time	Approx. 110 mins
Compatible Fuel Canister	GPC-250CB-US
Usable Pot Size	Diameter 14~30 cm / 5.5 – 11.8 in

Special Attention

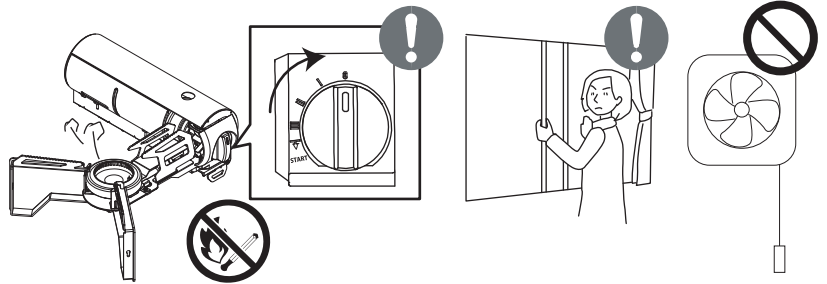
Danger: To Prevent Gas Accidents

Extinguish the flame as soon as you notice a gas leak.

If gas is leaking, you will smell a rotten odor. Butane gas is heavier than air and accumulates at the bottom. Do not switch on electrical appliances or use fire, and take the following measures immediately. There's a risk of explosion due to ignition.

- ① Return the Appliance Valve Knob to the "0" position and extinguish the fire immediately.
- ② Remove the canister.
- ③ Open windows and doors to let the gas out.

*Do not use a ventilation fan. There is a risk of ignition and explosion when electricity is used.



WARNING Misuse could result in serious injury or death to the user.

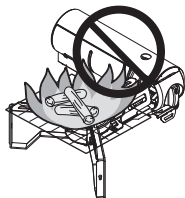
Warning for the handling of the canister.

Canister Heating Warnings

Never use the product and canister in following ways:

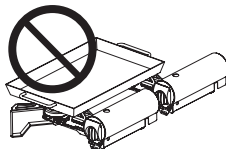
Never, under any circumstance, use the stove to light charcoal.

There is risk of explosion due to abnormal heating of the canister and a sudden increase in the internal pressure of the canister.



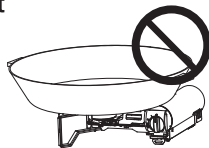
Do not use multiple stoves side-by-side with a single cooking unit.

If multiple stoves are used with large pots, the fuel canisters will be subjected to abnormal heat levels from each other's flames, risking possible explosion as the internal pressure of the fuel canister increases.



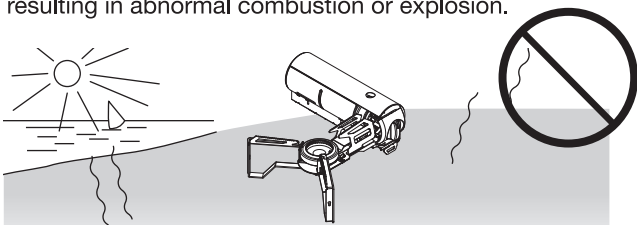
Do not use large cookware that covers the canister cover.

This causes risk of explosion due to abnormal heating and sudden increase in the internal pressure of the canister.



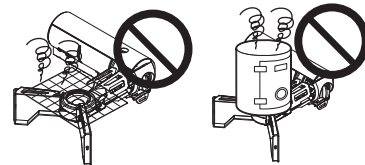
Do not use or store this product and the fuel canister on sand, metal surfaces or road where the heat is over 40°C (104°F).

Beaches, metal surfaces or roads with direct sun are hotter than typical outdoor temperatures. If you leave the fuel canister or use the stove in such places, the internal pressure of the fuel canister rapidly increases potentially resulting in abnormal combustion or explosion.



Do not use cast iron products like Dutch ovens, ceramic cookware, stone plates, or cookware with strong radiant heat like smokers. Do not cover the trivet or grill net with aluminum foil.

These products produce radiant heat which can cause the fuel canister to heat up unexpectedly. Unexpected heat increases can rapidly raise the fuel cannister's internal pressure, risking explosion or combustion.



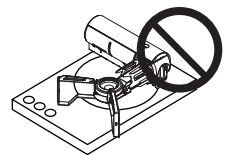
Never heat empty cookware.

Heating empty cookware can cause the canister to have an abnormal temperature increase, which elevates internal pressure, risking explosion.



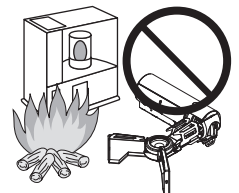
Do not use or store near other heat sources such as electric stoves.

If the power is turned on unexpectedly, the canister can heat to an abnormal temperature, risking explosion.



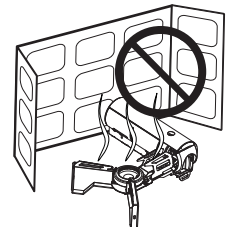
Never use the stove near other heat sources such as heaters or open fires.

Storing near other heat sources can cause abnormal heating of the canister and sudden increase in the canister's internal pressure, risking explosion.



Never surround the stove with a windshield, stones or other devices.

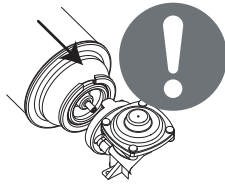
The use of windscreens or stones will cause abnormal heat absorption in canister. Placing a pot on top of the stove burner further increases heat built-up. This will cause high temperatures, leading to danger of explosion.



Handling of Fuel Canister

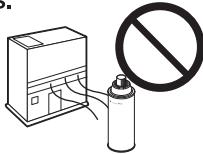
Set the canister correctly, with the notch up.

If the container is set incorrectly, a gas leak can occur, leading to danger of fire.



Do not leave canister near hot air vents, heaters or other heat sources.

Heat sources can cause an increase in the internal pressure of canister and may lead to explosion.



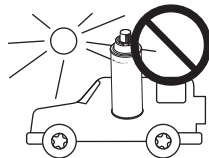
Never throw empty fuel canisters into a fire or discard them near any heat sources.

Even when the fuel canister is empty, a small amount of gas remains. If the canister is thrown into a fire or discarded near other heat sources, it may explode as the internal pressure rises.



Keep the fuel canister in a well-ventilated area below 40 °C (104°F) away from fire and direct sunlight.

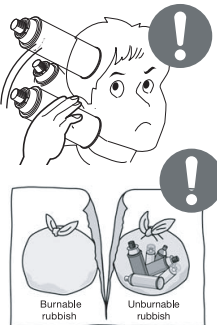
Improper storage creates risk of explosion due to abnormal heating of the canister and sudden increase in the internal pressure. Storage in a humid place may cause rusting. If the canister is rusty, check for possible gas leaks and use it as soon as possible. After use, remove the canister and put the cap on before storing.



Dispose of the fuel canister after it has been completely used up.

If the canister makes sounds when shaken, gas still remains. Please use it up completely.

Dispose of the fuel canister according to local regulation. If gas remains in the canister, it may lead to a fire in the garbage truck.



Do not refill the fuel canister.

The canister is not designed to be refilled.

Do not intentionally inhale gas from the fuel canister.

You may die from lack of oxygen if you intentionally inhale gas. Never inhale the gas from canister.



To Prevent Fire

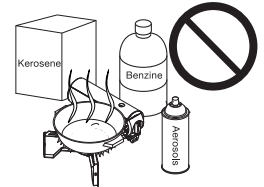
Never leave a lit stove unattended.

When this product is in use, there is a risk of fire spreading or of the flame going out while the gas is on, which may cause unexpected accidents. Always keep an eye on the product, especially while cooking, and also check to ensure the fire is not extinguished. Please extinguish the fire when you leave or go to bed. Even if you're only stepping away for a short time, be sure to put out the fire out.



When using the stove, do not leave spare fuel canisters, hair spray containers, aerosols, or other flammable liquids nearby.

Spare fuel canisters, hair sprays, aerosols and other flammable liquids may catch fire or explode due to heat.



Do not use flammable products such as hair spray near the stove.

Using hair spray, aerosol, gasoline or kerosene near the stove may lead to explosion due to ignition.



Never attempt to repair or modify on your own.

This product and fuel canisters are precisely manufactured. Modification may result in poor performance, incomplete combustion or gas leakage. Please contact the retailer where the product was purchased or Snow Peak customer service if repairs are needed.



Keep both the stove and fuel canisters out of reach of children.

Keep both the stove and fuel canisters out of reach of children to avoid danger.

Be careful of ignition if the stove does not light at once.

When re-igniting, ensure the smell of gas is gone. There is a danger of igniting the accumulated gas.

Before igniting the stove, inspect to see there is no gas leakage.

Ensure the Appliance Valve Knob is completely shut before attaching the fuel canister. After attaching, ensure there is no gas leakage. If lit when gas is leaking, there is a chance of burns from abnormal combustion or toxic symptoms. If you feel sick, stop using this product immediately and contact the dealer where the product was purchased or Snow Peak Customer Service. Never ignite with gas leakage.

 **WARNING** Misuse could result in serious injury or death of the user.

To Prevent Gas Accident

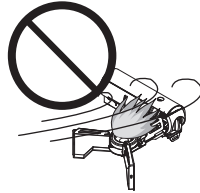
Never use the stove for any purpose other than cooking. Improper use can lead to accidents like fire, burns, and oxygen deficiency.

Keep your face and hands away from the burner head. Placing your face or hands too close to the burner can result in burns.

Where to Use

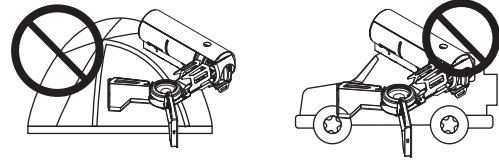
Do not use in windy places.

Using this product in a windy place may cause an accident or burnout of the main unit due to the entrained flame. Also, the flame may be blown out, which may lead to incomplete combustion.



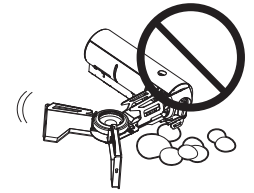
Do not use the stove inside of tents or cars.

Never use this product inside of tents or vehicles. It may cause death or serious poisoning from oxygen deficiency and toxic gases.



Always use the stove on level, stable surface.

If the stove is used on an incline or unstable surface, it may tip over, potentially causing damage or injury.



 **Caution**

About The Fuel Canister and Its Handling

Please use this stove with Snow Peak-designated fuel canisters. Snow Peak fuel canisters are designed for maximum efficiency. Please do not use any other type of fuel canister with this stove. Snow Peak has designed specific fuel canisters to use with this stove.

Other fuel canisters differ in standards such as valve configuration and nozzle thickness. This basic design difference may result in gas leakage and could lead to combustion, fire, or abnormal burning from burner.

Snow Peak Fuel Canisters	
GPC-250CB-US GigaPower Gas CB Butane (Silver)	



Other brands

Do not give strong shocks to the fuel canisters.

There is a danger of ignition from gas leakage resulting from impact or falls.



Fuel canisters should not be carried on an aircraft.

Law prohibits carrying fuel canisters on aircrafts.

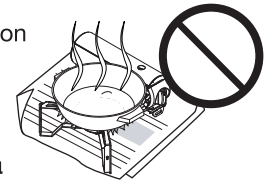


Do not use deformed fuel canisters.

Deformed canisters may have gas leakage.

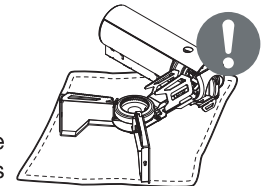
Do not place flammable items such as cardboard, vinyl cloth, tablecloth, carpet or tatami under the stove. Do not obstruct ventilation in any way.

There is a risk of fire or explosion due to ignition.



When using the stove on a sensitive table or floor, please use with the burner sheet (sold separately) made of non-flammable insulation.

The floor surface gets very hot while using this product. Wooden tables and floors are particularly susceptible to heat, which can cause burns or discoloration.



Do not use this stove on a Japanese tatami mat or carpet which are not designed to withstand heat.

Even if you use the burner sheet (non-flammable insulation) on tatami mat or carpet, it may cause deformation or discoloration.

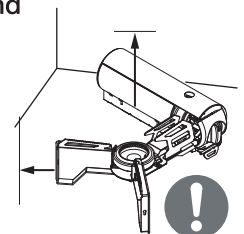
Do not tilt, shake or carry the stove when it is lit.

Carrying, shaking or tilting the stove can change the flow of flames and increase risk of burns.



Keep combustible items more than 3.3 feet above the stove and 3.3 feet around.

Heat from the flame flows sideways and/or downward, depending on wind direction. Since the heat from the flame is transmitted upwards with great intensity, keep combustible items at a distance to avoid catching on fire.



To Prevent Fire

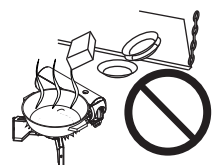
Do not place the stove near curtains, flammable materials, or sensitive items.

There is a risk of fire or explosion due to ignition.



Do not use in places where there is a risk of falling objects, such as under a shelf.

There is a risk of fire or explosion due to ignition or fall.

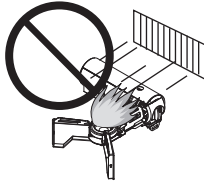


 **WARNING** Misuse could result in serious injury or death of the user.

Where to Use

Do not use in locations where wind blows in/out.

If the flame is extinguished by wind, there is a risk of gas leakage. Windy conditions increase risk of scorching table surfaces and the main unit due to the flame getting caught in the wind.



Do not use the stove in locations with airflow underneath the stove, such as on smokeless roaster tables.

It may scorch the main unit or table due to abnormal combustion.

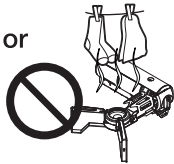
Precautions for Use

Never use the stove for any purpose other than cooking.

It may lead to such unexpected accidents such as fire, burns and oxygen deficiency.

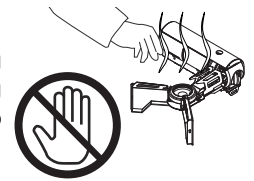
Do not use the stove to dry clothing, or use the stove as heater.

Clothing may ignite and cause a fire.



Be careful of burns.

This product gets very hot during and after use. Do not touch anything other than the Appliance Valve Knob even after extinguishing the fire.



Do not use assistive devices or applied equipment.

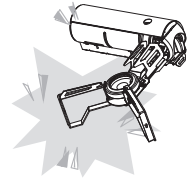
Using the stove with assistive devices or applied equipment may cause accidents.

In case of abnormality

In the unlikely event of abnormal noise, abnormal odor, fire or emergency, don't panic. Extinguish the stove by turning the plug to "0" position, remove the canister from the main unit, and follow the instructions on the last page.

Do not drop the main unit and stop use after significant impact.

Even if the products does not look damaged, the internal mechanism may be broken. Please ask a dealer or Snow Peak Customer service for inspection.



Do not forcibly install or remove the fuel canister.

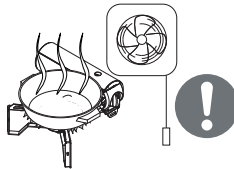
The joint part may be damaged.

 **Caution**

Precautions for Use

Pay attention to ventilation.

Ventilate occasionally by opening a window or turning on a ventilation fan during use.



About Fuel Canister and Its Handling

Please carefully read the information and caution warnings on the fuel canister.

There are precautions listed on the fuel canister. Please read carefully before use.

Inspect and clean fuel canisters from time to time.

Do not use the fuel canister if there are scratches, dents or other damages. These increase risk of gas leakage. If the fuel canister is rusted, ensure there is no gas leakage and use the canister as soon as possible. Do not use if there is gas leakage. Please use the fuel canister within 7 years after production (production date is listed on the bottom of the canister).

In addition to igniting before use and extinguishing when finished, please make sure the stove burns properly during use.

Please make sure there is no abnormal combustion.

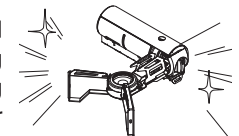
Make sure to put the cap on before storing.

The cap prevents gas leakage and keeps dust from entering into the joint part.



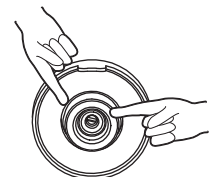
After using the stove, make sure to inspect and clean before storing.

Any remaining dirt or debris could cause clogging or rusting, increasing risk for accidents. Proper cleaning ensures problems will not occur during next use.



Check the canister joint "O-ring"(expendables) every time. If the joint is worn out, please stop use immediately and contact the dealer where the product was purchased or Snow Peak customer service.

A worn O-ring increases the risk of a gas leak.



Keep away from children.

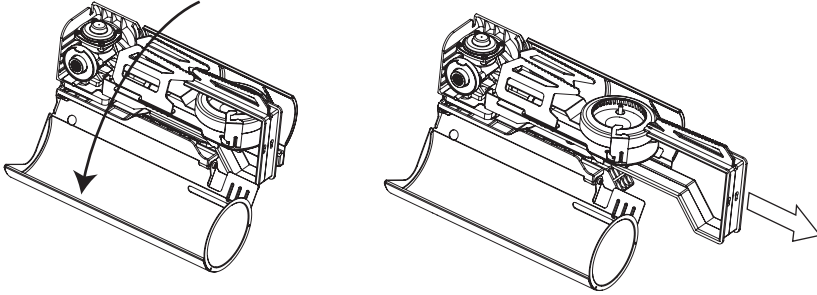
Keep stove and fuel canisters out of reach of children to avoid danger.



How to Use

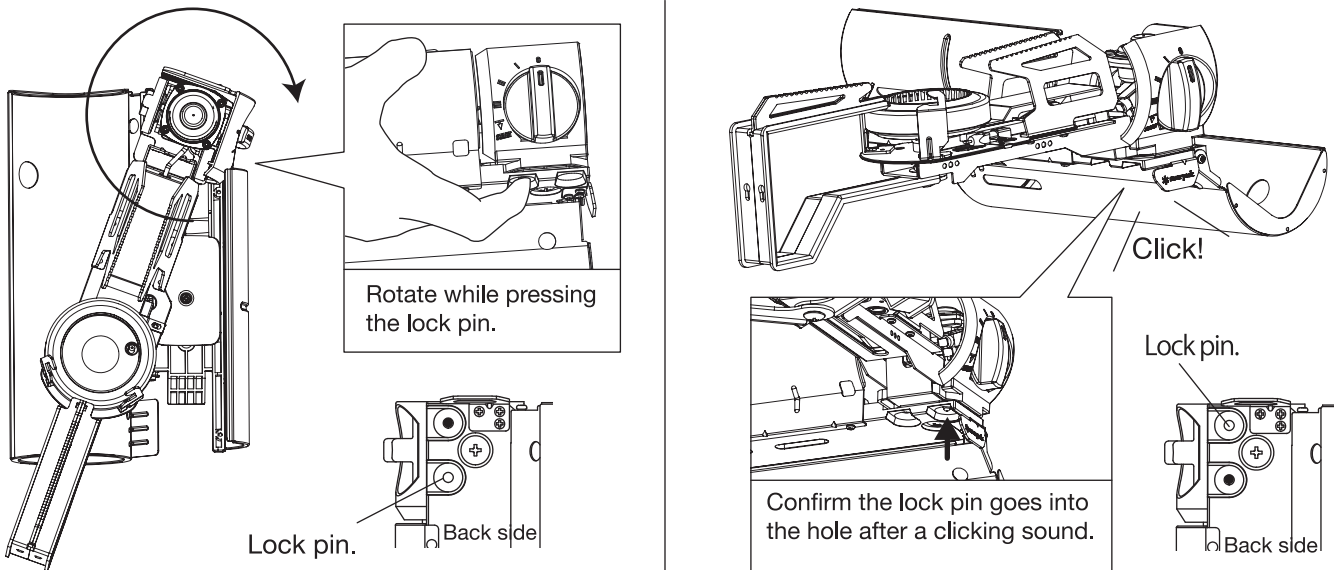
Assembly Method

1. Open the canister cover completely and pull the trivet out in the direction as shown.

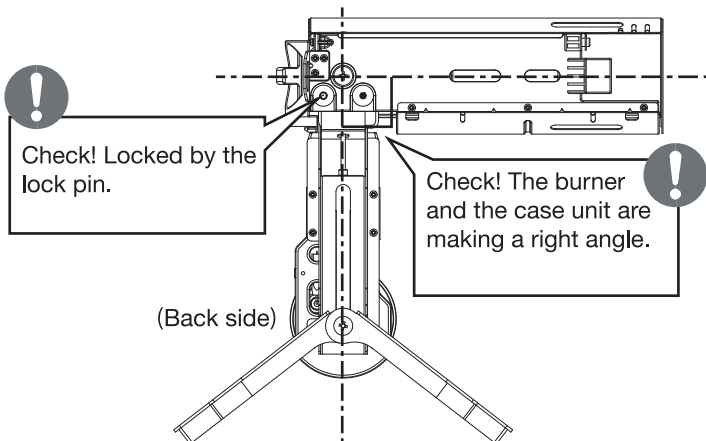
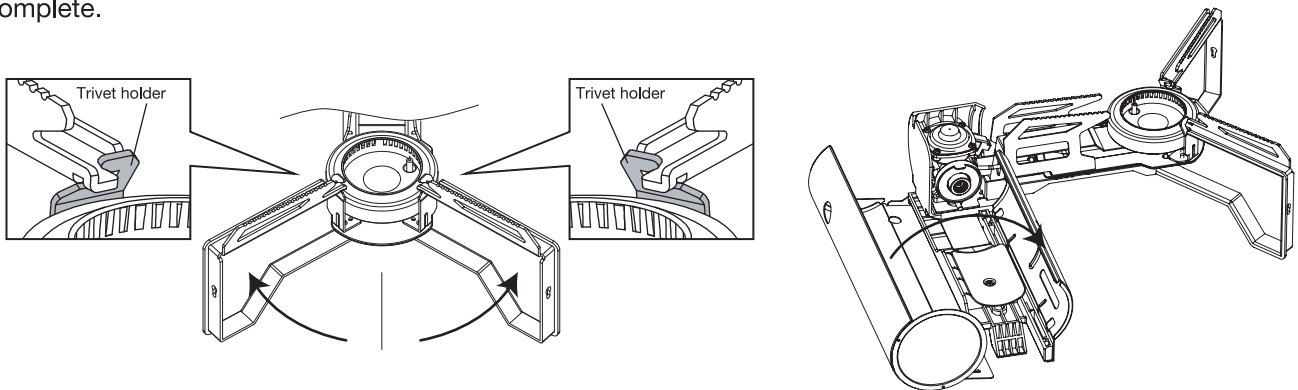


Attention: If the cover is not fully opened or the trivet is not pulled out properly, it's impossible to proceed further.

2. Rotate the burner unit as shown, while pressing the lock pin to release the lock. When the burner is rotated 270 degrees, the unit is locked again by the lock pin.



3. Open the trivet. Ensure the trivet is connected to the trivet holder as shown. Then, close the cover to complete.

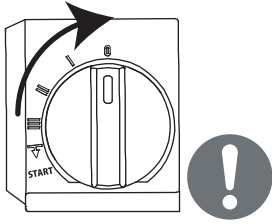


⚠ Warning

• Ensure the burner unit and the case unit are making the right angle and fixed by the lock pin. If a right angle isn't made, the fuel canister cannot be connected. Additionally, gas leaks may occur from the connection of the fuel canister and the plug, potentially causing a fire.

How to set the fuel canister

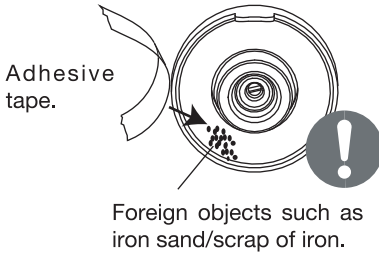
1. Ensure the Appliance Valve Knob is turned and stopped at the "0" position.



⚠ Attention:

If the Appliance Valve Knob is not set at the "0" position, the fuel canister can not be attached due to the safety device.

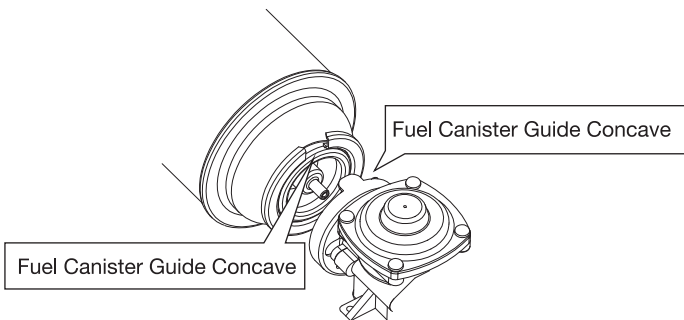
2. Open the cover, ensure there are no foreign objects on the magnet. If iron sand or scraps of iron are attached, please remove completely using adhesive tape.



⚠ Attention:

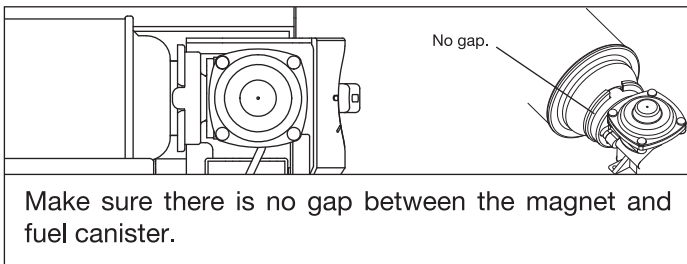
If any foreign object is attached, gas leaks may occur and the fuel canister cannot be attached.

3. Remove the canister cap and put the fuel canister on the heat panel. After aligning the Fuel Canister Guide Concave to Fuel Canister Receiver Guide Convex on the main unit, slide the container horizontally as shown, until it is fully in contact with the magnet. Ensure there is no gap between the magnet and fuel canister.



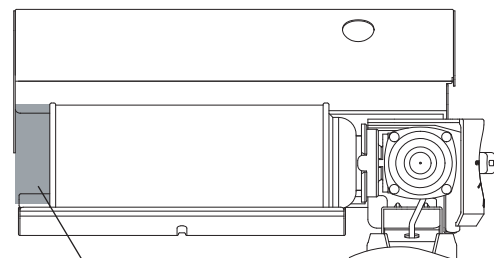
⚠ Attention:

If the fitting of the fuel canister is too hard to turn, apply a thin layer of vegetable oil to the part as shown below.



⚠ Warning

Do not put anything between the bottom of the canister and the main body such as pebbles or paper. This can cause the pressure sensing safety device to fail, and the canister may explode.



Do not put anything here.

4. Make sure the canister is securely installed and there is no sound or smell of gas leakage, then close the canister cover.

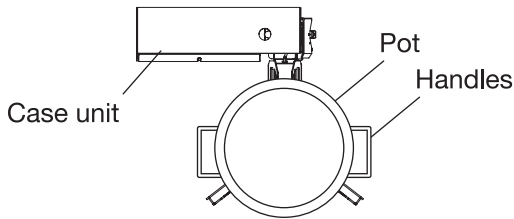
⚠ Warning

- Before each use, check to ensure there are no gas leaks or problems with ignition.
- Never use anything that appears to be broken, damaged or that has been subjected to a strong impact.
- If the container is not securely installed, there is a risk of fire due to gas leakage.

Precautions When Using Cookware

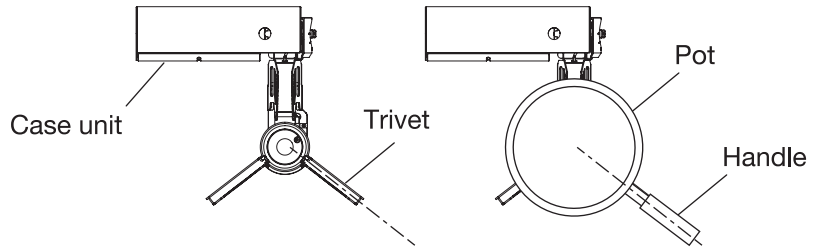
For double-handle pots

Place the handles as shown below, ensure the handles do not to overlap with the case unit.



For single-handle pot or frying pan.

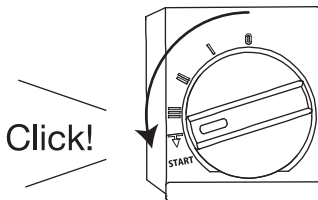
Position the handle so it overlap with the trivet in a straight line to ensure the pot/pan does not tip from the weight of the handle. Make sure the handle does not overlap with the case unit.



Operation

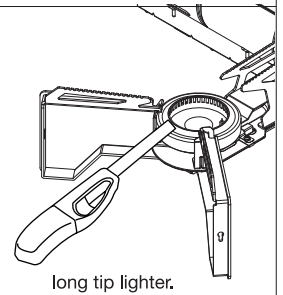
1 . Lighting the stove

Turn the Appliance Valve Knob counter-clockwise (rotate left) as seen from the front, until it clicks, then confirm the stove's ignition. If you can not ignite it, return the Appliance Valve Knob to the "0" position.



⚠ Attention:

- The igniter may not be able to ignite due to weather or elevation. Be prepared with a long tip lighter as a backup.
- If the gas does not ignite after a few tries, stop using the igniter and ventilate until the gas odor disappears. Then, use a lighter as shown on the right.



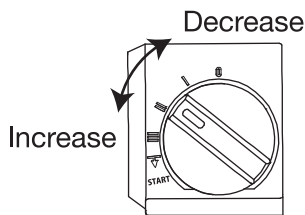
⚠ Warning

Before use, ensure the following:

- The fuel canister is securely installed.
- There are no flammable materials nearby.
- Your hands, face and body are not near the burner, this increases risk of burns.

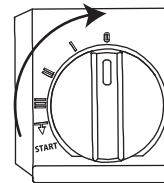
2 . How to Ignite

When the knob is turned counter-clockwise (left turn), the heat increases, and when turned clockwise, it decreases. Please turn the knob slowly.



3 . How to extinguish

Turn the knob slowly to the "0" position until the gas stops. Ensure the fire is completely extinguished.



⚠ Attention:

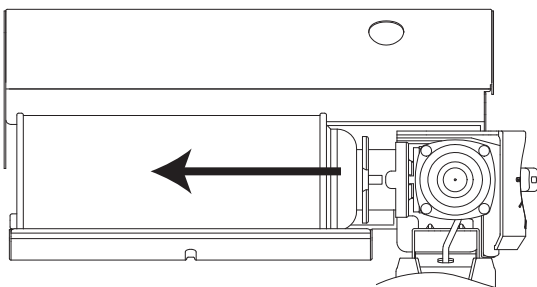
If the flame is too small, it can easily burn out from the wind.

⚠ Attention:

Ensure the fire is completely gone.

How to Remove the Fuel Canister

Open the canister cover, hold and slide horizontally in the opposite direction to remove it from the magnet. Cap the removed canister.

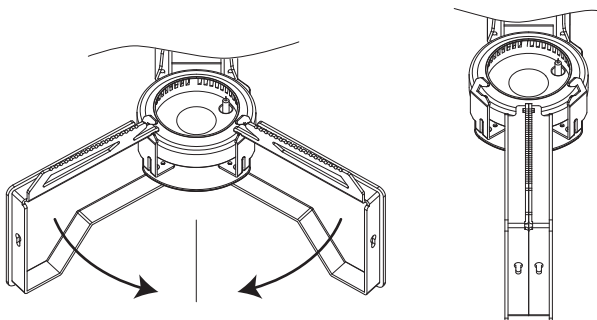


⚠ Attention:

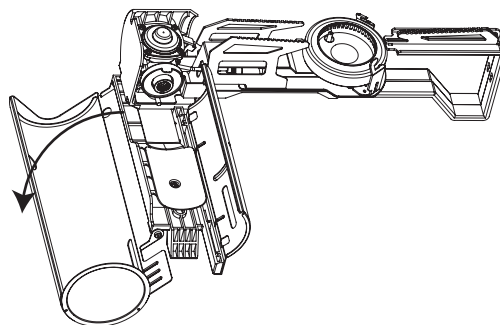
- The main unit and the canister become very hot after use. Make sure stove has completely cooled down before removing the canister.
- Always remove the canister after use. It can damage main unit or cause a gas leak if the canister is left installed.
- Gas remains in the piping and instrument plugs of the main unit even after the canister is removed. Please ignite the main unit again to completely clear out the gas.

How to store the stove

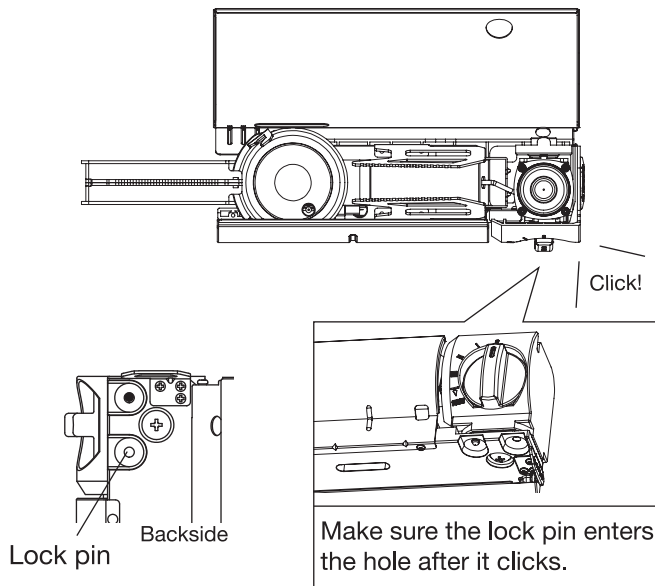
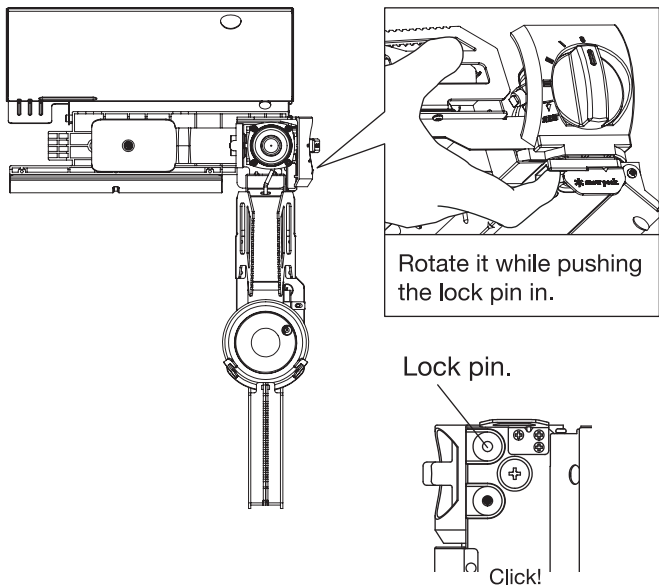
1. Fold the trivet as shown in the picture.



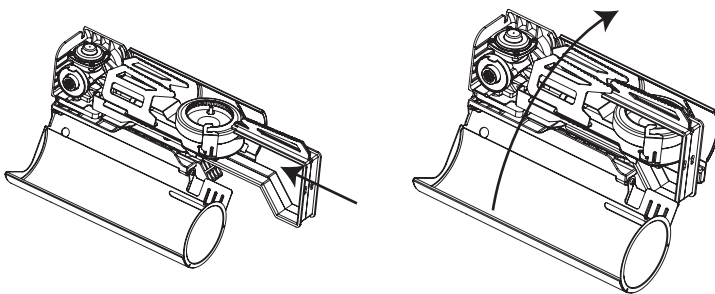
2. Open the canister cover. Ensure the canister is not installed.



3. Rotate the burner unit while releasing the lock pin as shown. When the burner unit is returned to the stowed position, it will be fixed in place by the lock pin.

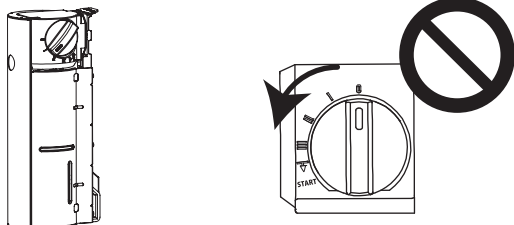


4. Store the trivet and close the canister cover.



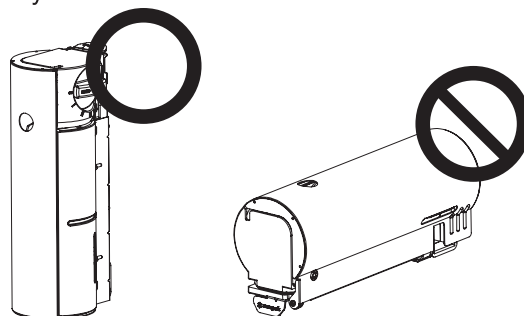
⚠ Warning

- The stove becomes very hot after use. Ensure it has completely cooled before storing.
- Do not use the plug knob during storage. There may be gas left in the main unit even without the canister, and using the plug knob may cause accidents.



⚠ Warning

Please keep the stove vertical when storing, as shown in the picture. It may fall if stored horizontally.




How to Maintain

To maintain the stove's function and prevent accidents from gas leaks, product failures, and abnormalities due to performance deterioration, it's essential to follow instructions below. Please perform daily inspections and maintenance. Regardless of whether you used the product, ask the dealer or Snow Peak customer service for safety tips before using outdated products.

How to inspect/maintain and attention.

Be sure to perform daily maintenance and inspection

Inspection	How to maintain	Attention
Dirt from boiling water	Wipe off dirt with a tightly wrung cloth. If it is difficult to remove the dirt, use a neutral detergent to remove the dirt and wipe off moisture with a dry cloth.	Leaving moisture or dirt may cause damage or rust. Please keep both the inside and outside of the stove clean. Do not move the electrode when cleaning.
Burner clogged	Clean with a brush. (Be careful not to move the electrode.)	A clogged burner may cause incomplete combustion or uneven flame. Always keep the burner clean.
Dirt on electrode (when it does not ignite)	Wipe off lightly using a dry cloth.	Dirt may cause ignition failure. Do not move the electrode.
Dirt on the main unit and fuel canister	Wipe well with a dry cloth. If it is difficult to remove the dirt, use a neutral detergent to remove the dirt and wipe off moisture with a dry cloth.	Using thinner, benzine, scouring powder, etc. will damage the surface. Do not use nylon scrubber or metal scrubber as it will also damage the surface.

 Warning	<ul style="list-style-type: none"> - Make sure to wear gloves to protect hands and fingers. - Never wash the main unit. If water enters the gas passage, gas will not flow and rust can form. - Remove the fuel canister before inspection/maintenance. - Never disassemble, even for maintenance purposes. - If pots boil over, ensure the burner is head is cleaned.
---	---

These cases are not product malfunction or abnormality.

If the following symptoms occur during use, it is not the result of a malfunction. Take corrective action by finding a solution below.

Symptom	Cause	Solution
Stove is hard to ignite. Suddenly, the spark stopped.	Water drops or dirt is attached to the white part (ceramic) of the electrode.	Electric leakage is occurring due to moisture and dirt. Remove the moisture and dirt.
The fire goes out even if there is gas left in the canister.	"Pressure Sensing Security Device" has been activated due to the high temperature of the canister caused by abnormal use.	Refer "When Pressure Sensing Safety Device is Activated" on page 1 to correct the issue.
The fuel canister cannot be installed. The fuel canister comes off immediately after installing.	The temperature of the canister is high due to the hot temperature of storage place and the "Pressure Sensing Safety Device" has been activated.	
	Foreign object is attached to the magnet.	Remove the foreign object referencing "How to install the fuel canister" on page 7.
	Plug knob is at "0" position.	Return the plug knob to the "0" position until it stops.
There is a buzzing sound when extinguishing the flame.		It is the normal sound of the fire being extinguished.
The fire around the electrode becomes red.		The red color indicates a flame reaction and is normal.

Long Term Care Instructions

- Ensure the main unit is clean and dry.
- Store in well-ventilated and cool place after the main unit has completely cooled down.
- Remove the fuel canister from the main unit and store them separately.
- Inspect and maintain the main unit and fuel canister once in a while to avoid rust.

Regarding Deterioration Over Time

- Rubber is used at the gas connection of this product and it will deteriorate over time, regardless of the use frequency.
- For this product, please consider buying a replacement rubber piece within 10 years after manufacture date.

Trouble Shooting

Identifying product failures and abnormalities, and how to handle them.

Cause \ Symptom	Symptom											Solution	
	Hard to ignite	Doesn't ignite	Fire doesn't transfer to burner	Yellow flame	Unstable flame	Uneven flame	Weak firepower	Smells gas	Flame extinguishes during operation	Flame does not extinguish	Fuel canister cannot be installed		Gas leaks even the plug knob is turned to "0"
Using other manufacturer's fuel canister	●							●			●	●	Use Snow Peak designated fuel canister.
Gas is running low.	●						●						Replace with a new fuel canister.
Gas is running out.		●	●						●				Replace with a new fuel canister.
Dirt and moisture on electrode.	●	●											Wipe off dirt and moisture
Burner clogged	●	●	●	●	●	●	●						Remove the clogging
Ignition method is not appropriate	●	●						●					Take correct ignition method
Gas conduct (nozzle) is clogged		●	●	●	●		●		●				Request inspection/repair
Failure of plug knob	●	●						●		●		●	Request inspection/repair
Pressure sensing safety device is activated		●							●		●		Recover according to "Safety Device" on page 1
Failure of ignition device		●											Request inspection/repair
Plug knob is not fully open							●		●				Fully open the plug knob
Plug knob is not at "0"											●		Turn the plug knob to "0"
Fuel canister is not securely installed		●						●			●	●	Install the fuel canister securely
Scrap of iron or iron sand is attached on magnet											●		Remove the scrap of iron or iron sand by adhesive tape
Deformation of the main unit (Distortion)											●		Request inspection/repair

Warranty

Snow Peak guarantees its products against manufacturer defects. In the rare case you feel this product is defective or needs repair, please contact your retailer or contact Snow Peak customer service. We will repair or replace free of charge if there is a defect in the product. In other cases, we will repair at an appropriate fee. The decision regarding repair and replacement is at our discretion. In addition, please note that repair may not be possible in the following cases.

1. If you did not follow the instruction manual.
2. Product life due to wear and tear by user.
3. Damage from altering or careless handling,
4. Product failure from user accidents.
5. Any damage other than product defect due to manufacturing.
6. Damage from dirt and rust.
7. Damage or failure by dismantling.
8. Damage or failure of parts damaged by dropping or a similar incident.
9. Product failure due to wear and tear by user.
10. Damage caused by improper use with other products.

Snow Peak USA Inc.

404 NW 23rd Ave., Portland Oregon, 97210, USA
 Tel. +1 503-697-3330 Fax. +1 503-699-1396
www.snowpeak.com

Snow Peak, Inc.

456 Nakanohara, Sanjo-shi Niigata 955-0147 Japan
 Tel. +81 256-46-5858 Fax. +81 256-46-5860
www.snowpeak.co.jp

For question or concerns contact the Snow Peak Customer Service Department.
Snow Peak USA Inc.
 ☎ +1 503-697-3330 (9:00-17:00)
 Email: info@snowpeak.com

MADE IN KOREA